

850  
*mini*



**JANUS**  
INTERNATIONAL



*superior product + recognized value*

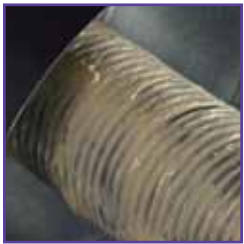


**JANUS**  
INTERNATIONAL

*The Janus Model 850 is our Miami-Dade County certified wind load rated rolling sheet door that meets specific geographic building codes. Independent laboratory testing proves the durability and strength of this door. Quick installation and ease of operation are also key features, making the Model 850 a sound and economical investment.*

## FEATURES

The 24 gauge corrugated door curtain is manufactured from full hard galvanized grade 80 steel and coated with Super Durable polyester paint that is backed by a 40 year film integrity and a 25 year no-fade limited paint warranty. Independently tested, the Model 850 meets the requirements of the Miami-Dade County Product Control Division for the high velocity hurricane zone (HVHZ) of the Florida building Code. Design wind load is rated +46 PSF and -54 PSF. Available in opening sizes up to 8'8" x 10'0" and in white only.



### DOOR SPRINGS

During production, each spring is coated with a generous amount of grease that penetrates the pores of the spring with additives, displacing moisture and preventing the formation of rust and corrosion. In addition, this process relieves the friction created between spring coils thereby providing smoother door operation. Finally, the spring and axle assembly is enclosed in a tube to protect them from the elements encountered throughout the life of the door.

### OPTIONAL PACKAGE PROTECTION & SHIPPING

Doors stacked on top of each other in transit are going to shift... unless they can be packaged in a way to minimize the sliding that occurs during that time. Janus has found the way. As an option, we can suspend each door individually in crates. Whether they travel down the block or across the country, compaction damages, door abrasion and chatter marks are virtually eliminated.



### RATCHET TENSIONING DEVICE

The Janus ratchet tensioning device supplied as standard equipment on our door offers a simpler method of tensioning while more accurately fine tuning all the springs on the door at the same time. There is no extra hardware required. Eight different positions on the tension wheel allow one to perfectly balance the door every time. There are no pins required to hold the tension on the spring. You simply just click it.

### RADIAL BALL BEARINGS

Janus supplies radial ball bearings at no additional cost. Our permanently lubricated bearings require no maintenance and are guaranteed to last the entire life span of the door.



### DEAD AXLE & TORQUE TUBE ASSEMBLY

This design, noted for its durability and smoother operation with commercial applications, has now been incorporated into the Janus self storage door. The tube housing protects the springs and strengthens the axle. Eliminating axle push and shift that can occur with a live axle, the dead axle design allows for a straighter travel path of the door curtain in the guides. The biggest feature of this design is that it affords the fine tuning of any spring adjustment to equally affect all springs on the door at the same time.

superior product + recognized value

Three manufacturing facilities located throughout the United States and a team of experienced door experts are available to assist you with any of your door needs.

Three year warranty on workmanship and material.

# 850 mini



### MAGNETIC ZINC COATED STEEL OR OPTIONAL STAINLESS STEEL LATCH

Our patented mini latch features a cover plate made from a heavy gauge yellow zinc coated steel or optional stainless steel. In addition, the latch cover protects the slide from tampering by completely covering the slide, with the exception of a tab used to operate the latch. To further secure the door, the latch's two inch throw, with its magnetic properties, can be incorporated with the new guide-mounted security devices. This versatile design affords you the ability to utilize padlocks, cylinder locks or both.

All **DRUMS** are fitted with a grease filled, shielded radial ball bearing to contribute to a smoother operation and reduce wear and friction.

Factory installed galvanized reinforced 12 gauge **BRACKETS** are designed to attach to the guides, reducing installation time.

Galvanized, guide mounted **HEAD STOPS** are simple to install and prevents curtain over travel when raising door. Installed through guide after curtain is lowered, they provide definite contact with the bottom bar angle.

The **RATCHET SPRING TENSIONER ASSEMBLY** is factory installed on the end of the door axle and allows precise fine tuning of the initial spring tension. Increments of 1/8 turn are possible. Tensioner adjusts both springs equally at the same time from only one end of the door.

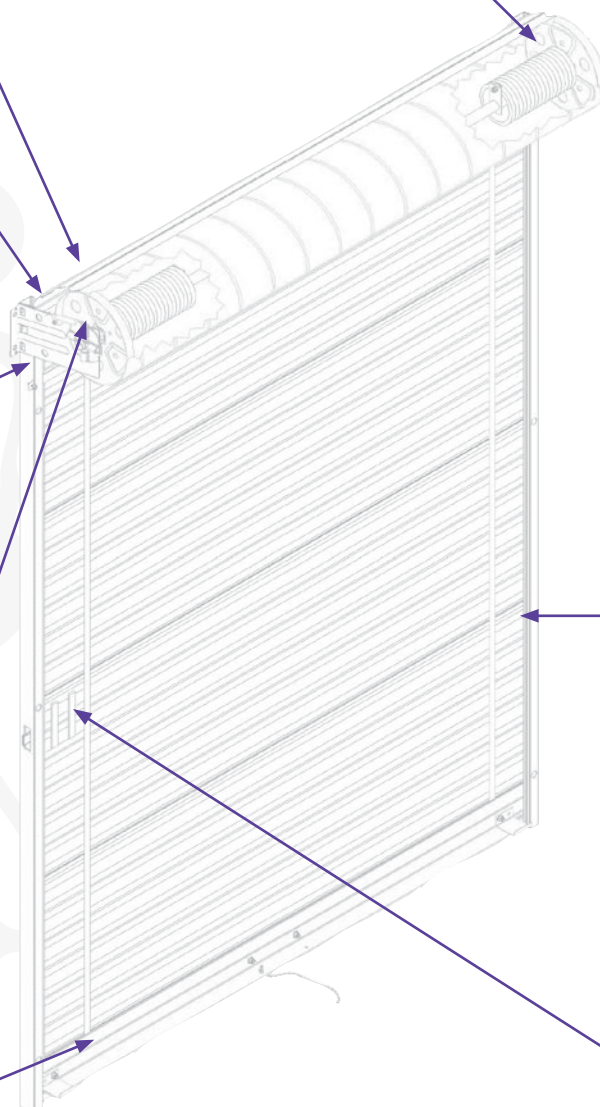
Roll formed clear acrylic coated galvanized steel **BOTTOM BAR** reinforced with a 2" x 1-1/2" 11 gauge full width galvanized angle that extends fully into the guides. The PVC bulb astragal provides positive contact with floor. Lift handle(s) installed on exterior side of bottom bar and a non-rotting pull rope is attached to the inside angle. Stop clips are attached to each end of bottom bar angle's horizontal leg.

Oil-tempered helical torsion **SPRINGS** are factory lubricated to minimize friction and corrosion while increasing the spring cycle life. Spring wire conforms to ASTM A 229.

Full width galvanized steel **BARREL** totally encloses the drums, springs and axle. Barrel type construction reduces door sag, eliminates drum dents and improves operation due to an even support of the curtain for the entire width.

Galvanized and pre-painted with long lasting Super Durable polyester paint, the 24 gauge **CORRUGATED CURTAIN** is roll formed from ASTM A 653 grade 80 full hard steel. This premium steel yields greater door strength and minimized curtain damage. Full height felt tape on back of curtain prevents nesting and reduces paint rubbing. 20 colors are standard with others available on special order.

Yellow zinc coated steel or optional stainless steel cover, slide and four attachment bolts are factory installed. The slide exhibits magnetic properties that can be used to activate a guide mounted security sensor. **LATCH** accepts all industry padlocks, including 7/16" diameter shanks. Provision for cylinder lock included.



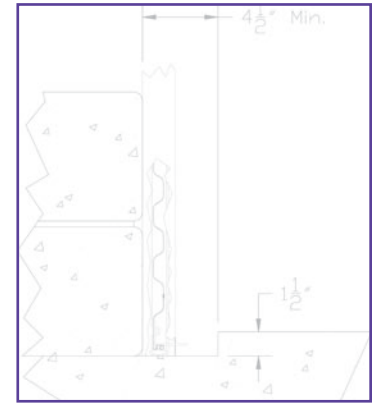
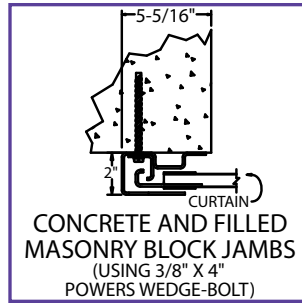
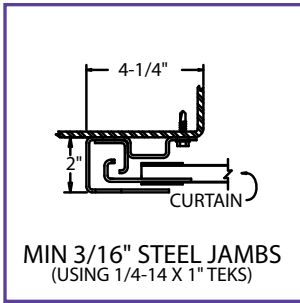
# 850 mini

superior product + recognized value

## GUIDE DETAILS

Universal mount 4" deep 11 gauge galvanized steel wind bar guides require no pre-installation modifications for steel, concrete or filled masonry block applications.

### RAIN LIP DETAIL



### SIDEROOM REQUIRED

Jambs	Guide	Outside of Each Bracket Leg	Each End of Axle
Steel	4 1/2"	5 3/4"	5 5/8"
Concrete/ Filled Block	5 5/8"	6 7/8"	6 5/8"

### HEADROOM REQUIRED

Opening Height	Vertical Headroom	Horizontal Headroom
Thru 7'4"	15 1/2"	17"
Over 7'4" thru 8'8"	16"	17 1/2"
Over 8'8" thru 10'0"	17"	18 1/4"

## JANUS INTERNATIONAL

{ headquarters }  
p.o. box 567  
temple, georgia 30179

{ manufacturing facilities }  
134 janus international blvd.  
temple, georgia 30179

+  
1256 brittmore road  
houston, texas 77043

+  
13374 west peoria avenue  
surprise, arizona 85379

+  
davy drive; north west industrial estate  
peterlee; co durham SR8 2JF united kingdom

{ distribution center }  
15330 valley view ave, suite 5  
la mirada, california 90638

PH **1 866 562 2580**  
FX **1 770 562 2264**

[www.janusintl.com](http://www.janusintl.com)

revised 09/08

proud member of:



### JANUS INTERNATIONAL CORPORATION

Janus International Corporation specializes in the production of storage facility components, ranging from roll-up doors to self-sustaining hallway systems. The expertise and assistance provided to the customer from designing the unit mix to the final job site punch out is what sets our operation apart from the competition. Our meticulous attention to detail with the prints, manufacturing process, shipping and installation, offers every one of our customers the assurance that they are getting the best product available on the market. It is these qualities and services that keep Janus' customers coming back.

### WARRANTY

The Model 850 and its components are warranted to be free of defects in workmanship and material for three years. Our springs are warranted against failure for a period of three years. Our paint warranty guarantees a 40 year film integrity and a 25 year no-fade limited warranty. Please refer to our official warranty for specific details.