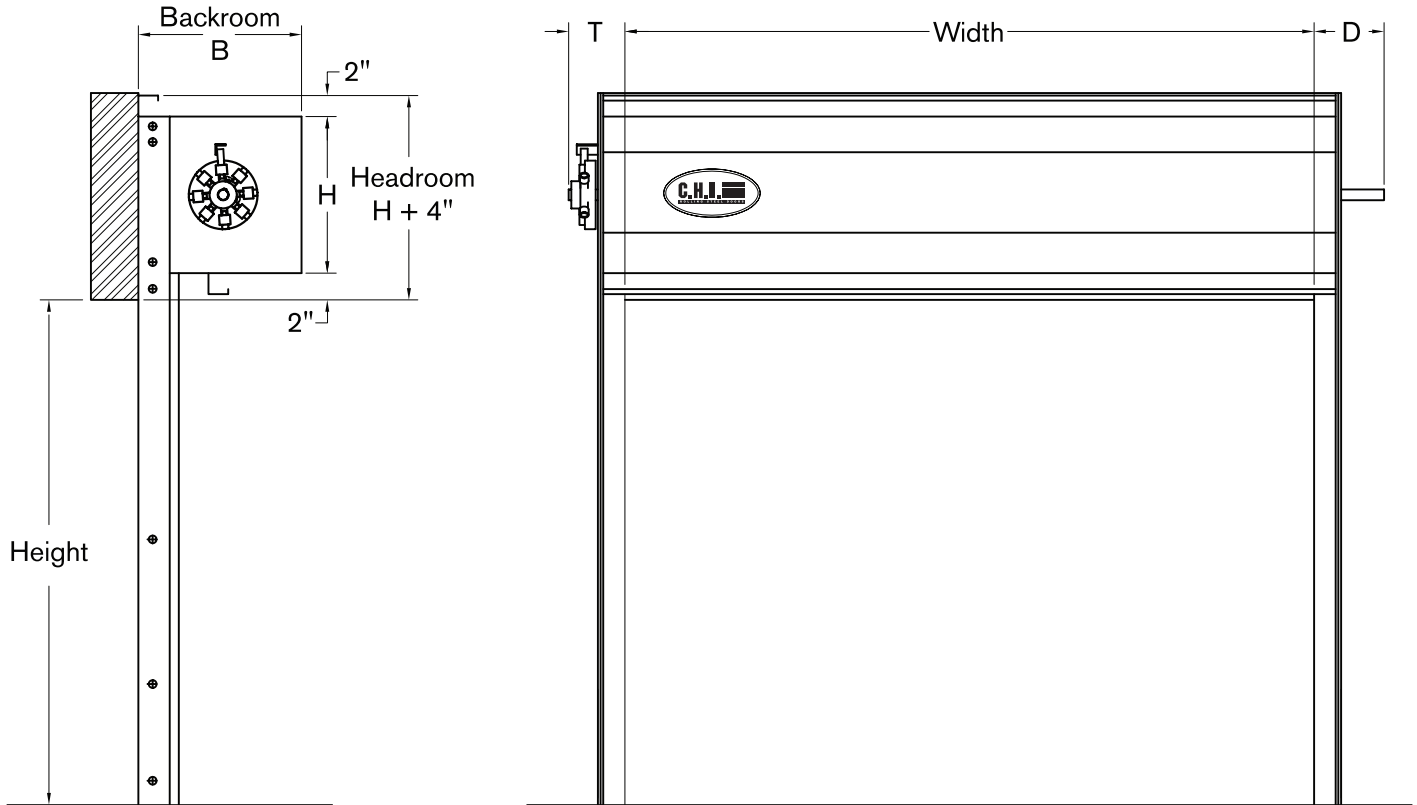


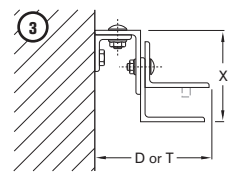
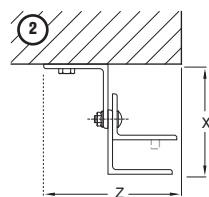
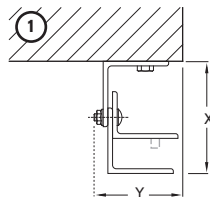
Series 6000 Insulated Service Doors



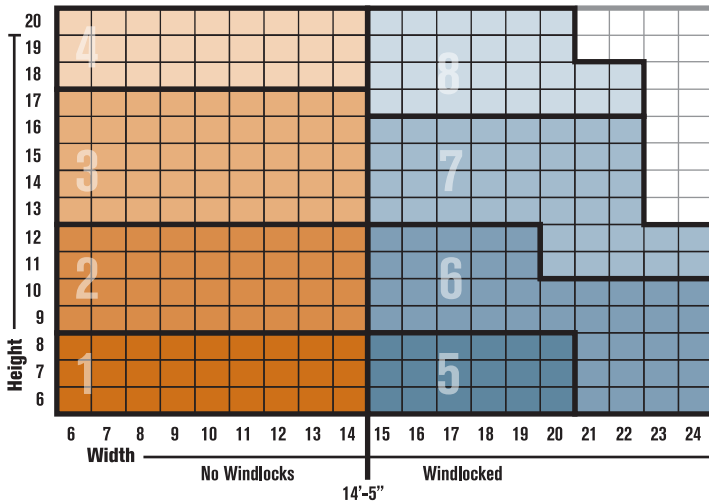
DETAILS

CLEARANCES & DIMENSIONS

1. Steel
2. Wood or Masonry
3. Wood, Masonry or Steel



AREA CHART* Series 6000 Insulated Doors



| zone | HP | H | B | T | D | X | Y | Z |
|------|---------|---------|-----|--------|--------|--------|--------|--------|
| 1 | 15" | 19" | 16" | 6" | 8-1/2" | 3-7/8" | 4-3/8" | 6-1/2" |
| 2 | 17" | 21" | 18" | 6" | 8-1/2" | 5" | 4-3/8" | 6-1/2" |
| 3 | 21" | 25" | 20" | 6" | 8-1/2" | 5" | 4-3/8" | 6-1/2" |
| 4 | 23" | 27" | 22" | 6" | 8-1/2" | 5" | 4-3/8" | 6-1/2" |
| 5 | 17" | 21" | 18" | 6-1/2" | 9-1/2" | 6" | 4-3/4" | 7-1/2" |
| 6 | 21" | 25" | 20" | 6-1/2" | 9-1/2" | 6" | 4-3/4" | 7-1/2" |
| 7 | 23" | 27" | 22" | 6-1/2" | 9-1/2" | 6" | 4-3/4" | 7-1/2" |
| 8 | 25-1/2" | 29-1/2" | 24" | 6-1/2" | 9-1/2" | 6" | 4-3/4" | 7-1/2" |

Consult factory if headroom is critical or for sizes not listed.

*When using Area Charts, if size falls on a zone division line, go up or right to the next zone.